



**Department of Computer Science
Faculty of Computing
UNIVERSITI TEKNOLOGI MALAYSIA**

SUBJECT : SCSR1013 DIGITAL LOGIC

SESSION/SEM :

**LAB 2 : COMBINATIONAL LOGIC CIRCUIT DESIGN
SIMULATION**

NAME 1 :

NAME 2 :

DATE :

REMARKS :

MARKS:

Lab # 2

Combinational Digital Circuit Design Simulation Using Deeds Simulator

A. Objective

- i) To expose student with producing digital logic circuit, generating truth table and Timing Diagram with Deeds Simulator.
- ii) To expose student with a complete cycle process of a combinatorial circuit design and simulate with Deeds Simulator.

B. Material

Install Deeds Software for Windows.

C. Introduction

Deeds Simulator

The Digital Circuit Simulator *d-DcS* appears to the user as a graphical schematic editor, with a library of simplified logic components, specialized toward pedagogical needs and not describing specific commercial products. As described before, the schematic editor allows building a simple digital networks composed of gates, flip-flops, pre-defined combinational and sequential circuits and custom-defined components (defined as Finite state machine).

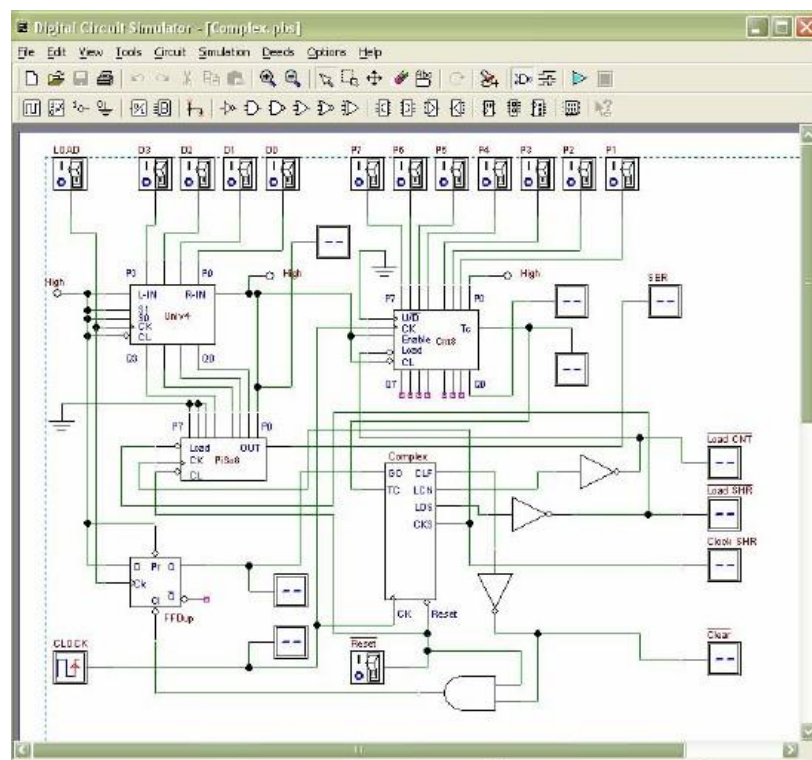


Figure 1 Circuit Editor of Digital Circuit Simulator (d-DcS)

Simulation can be interactive or in timing-mode. In **interactive mode**, the student can "animate" the digital system in the editor, controlling its inputs and observing the results. This is the simplest mode to examine a digital network, and this way of operation can be useful for the beginners. In **timing mode**, the behavior of the circuit can be analyzed by a timing diagram window, in which the user can define graphically an input signal sequence and observe the simulation results.

Digital Circuit Simulator (d-DcS): A Simple Example

In the following screen shots (Figure 2a, 2b, and 2c), student can see the circuit during the drawing and then simulate it by animation with following simple steps:

- a) student picks-up components from the *Component Tool Bar*.
- b) connects them using *Wires*.
- c) student activates the animation.

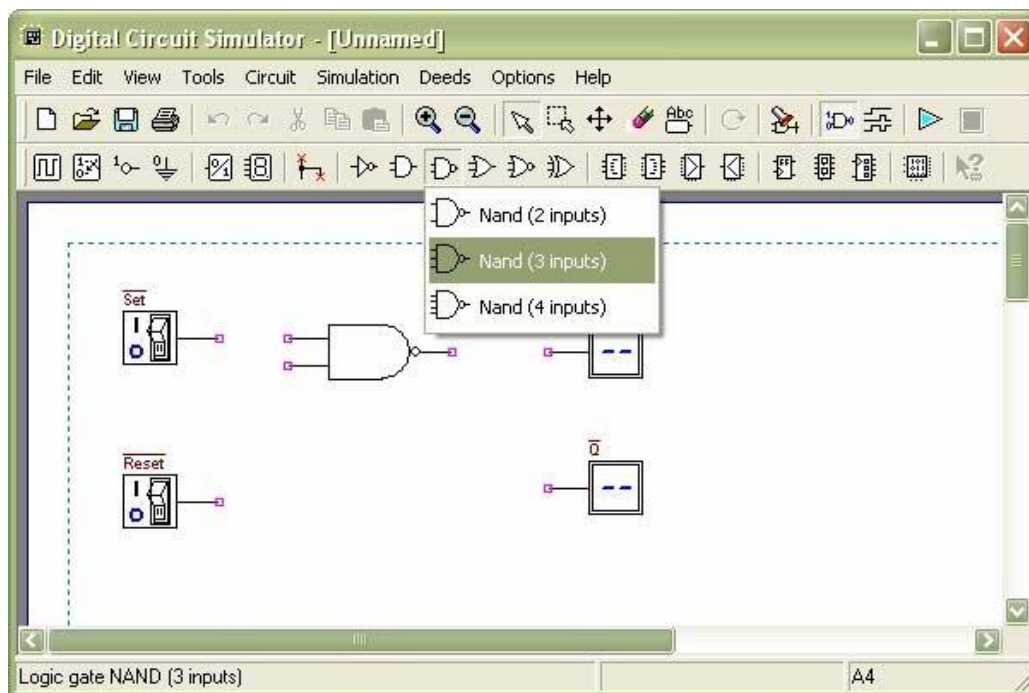


Figure 2a Drawing Phase of the Digital Circuit Editor: Insertion of Components

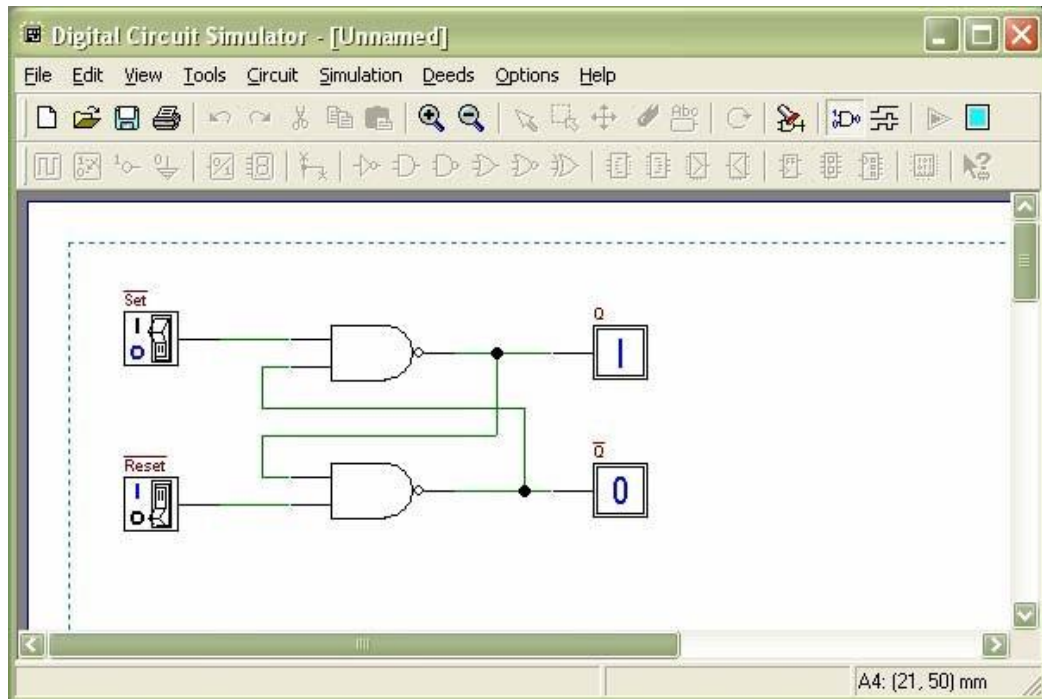


Figure 2b Next Phase of the Work: Connection of Components using *Wires*

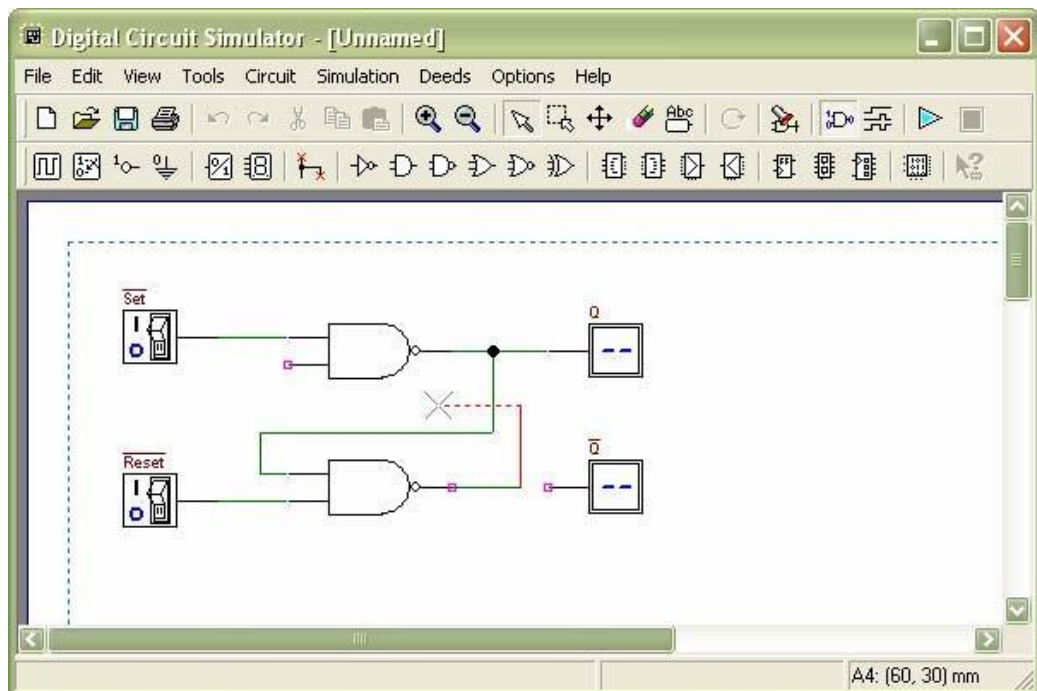


Figure 2c Animation: User Switches Inputs and the Circuit Shows Changes on Outputs

To exit the animation, it is necessary to click on the square *Stop* button. Instead, if the timing simulation is to be performed, student should click on the *Timing Simulation* button. This will show the Timing Diagram simulation window (Figure 3).

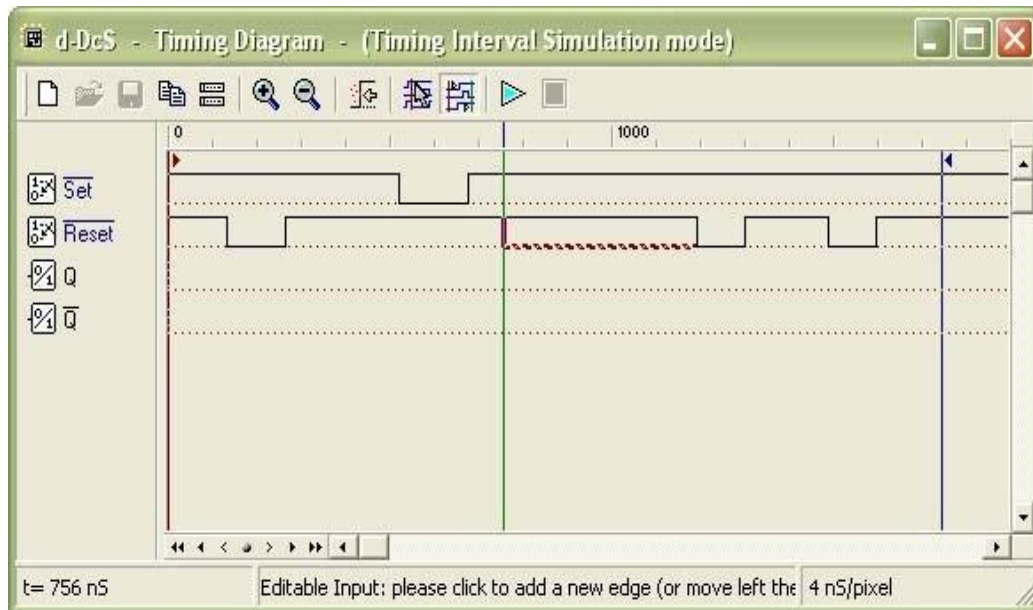


Figure 3 Timing Diagram Simulation Window

In this window, first student should define the timing of the input signals, drawing them on the diagram with the mouse. A vertical line cursor permits to define the 'end time' of the simulation. When student clicks on the triangular *play* button on the toolbar, the simulation is executed, and its results are displayed in the same window (Figure 4).

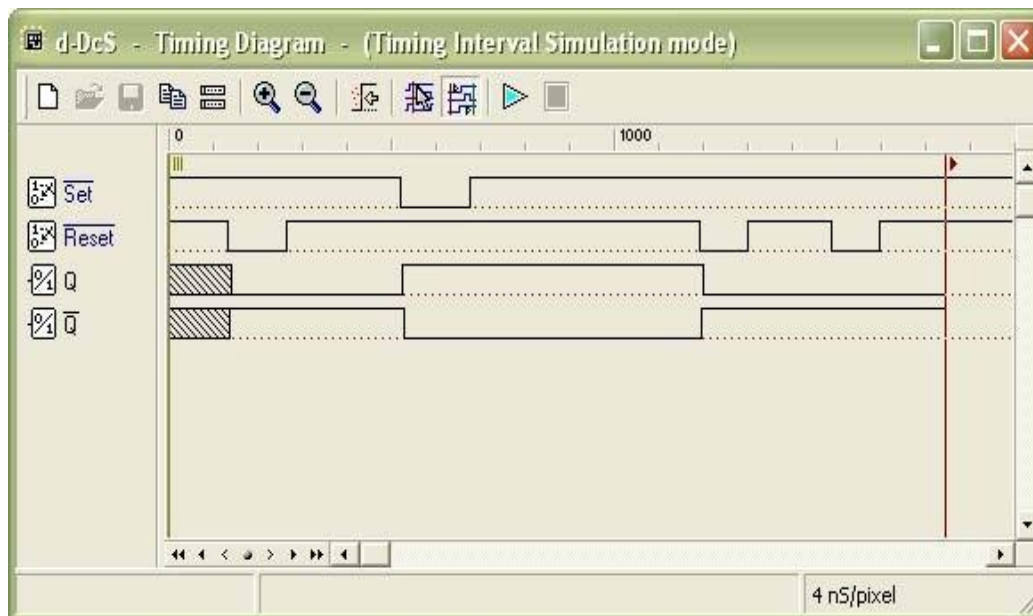


Figure 4 Timing Simulation Results, Displayed in Timing Diagram Window

Student can verify the correct behavior of the digital circuit, comparing simulation results with reasoning and theory concepts.

D. Lab Activities

Part 1

Simulating logic circuit, construct truth table and timing diagram with Deeds.

Given Boolean expression as follow:

$$Y = AB + BC + AC$$

1. Convert the non-standard Boolean expression into standard form.

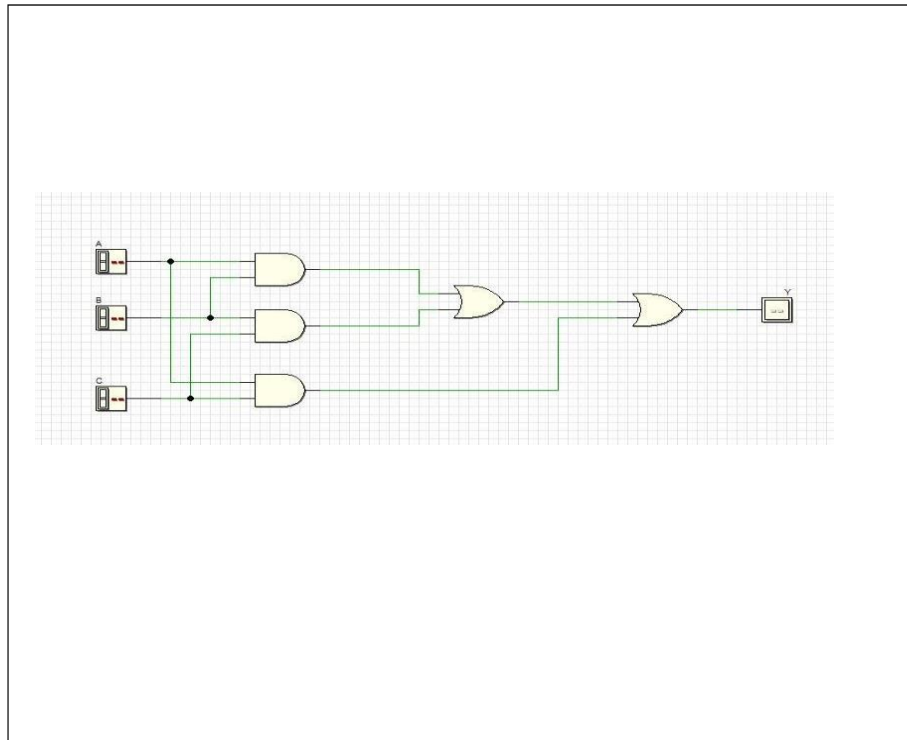
$$\begin{aligned} Y &= AB + BC + AC \\ Y &= AB(C + \bar{C}) + BC(A + \bar{A}) + AC(B + \bar{B}) \\ Y &= (ABC + AB\bar{C}) + (ABC + \bar{A}BC) + (ABC + A\bar{B}C) \\ Y &= ABC + AB\bar{C} + ABC + \bar{A}BC + ABC + A\bar{B}C \\ Y &= ABC + AB\bar{C} + \bar{A}BC + A\bar{B}C \text{ (standard form)} \end{aligned}$$

2. Based on standard form expression, complete the following truth table.

INPUT			OUTPUT
A	B	C	Y
0	0	0	0
0	0	1	0
0	1	0	0
0	1	1	1
1	0	0	0
1	0	1	1
1	1	0	1
1	1	1	1

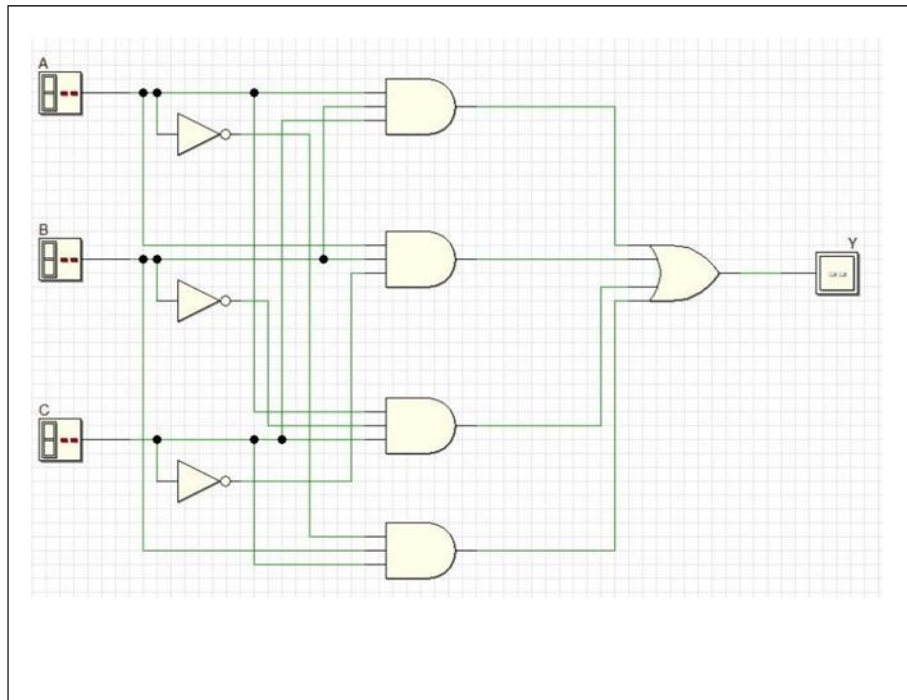
3. Using Deeds Simulator, draw the following circuits:

a) Circuit (i) for non-standard form (based on the given expression).



Circuit (i)

b) Circuit (ii) for standard form (from your answer in question (1))



Circuit (ii)

4. Simulate these two circuits in step (3) and complete their truth table.

Compare the simulation result for these two truth tables. What is your conclusion?

Circuit (i)

input			output
A	B	C	Y
0	0	0	0
0	0	1	0
0	1	0	0
0	1	1	1
1	0	0	0
1	0	1	1
1	1	0	1
1	1	1	1

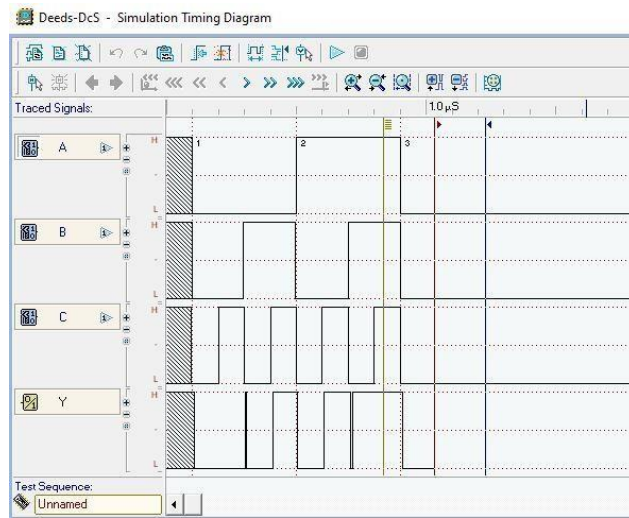
Circuit (ii)

input			output
A	B	C	Y
0	0	0	0
0	0	1	0
0	1	0	0
0	1	1	1
1	0	0	0
1	0	1	1
1	1	0	1
1	1	1	1

Conclusion:

Same output has been produce eventhough I created different type of circuit, from non standard and standard expression.

5. Simulate output of circuit (ii) with Timing Diagram. Illustrate some examples of different inputs and output.



Part 2

Combinational circuit design process and simulate with Deeds Simulator.

Design Process

- i) Determine Parameter Input / Output and their relations.
- ii) Construct Truth Table.
- iii) Using K-Map, get the SOP optimized form of all Boolean equation outputs.
- iv) Draw the circuit and use duality symbol; convert AND-OR circuit to NAND gates ONLY.
- v) Simulate the design using Deeds Simulator. Check the results according to Truth Table and Timing Diagram Operation.

Problem Situation

A new digital fault diagnoses circuit is requested to be designed for analyzing four bit 2's complement input binary number from sensors A, B, C, and D. Sensor A represents input MSB and sensor D represents input LSB. As shown in the following Figure 5, bit pattern analysis from input sensors A, B, C, and D will trigger four different output errors (active HIGH) of type E1, E2, E3, and E4.

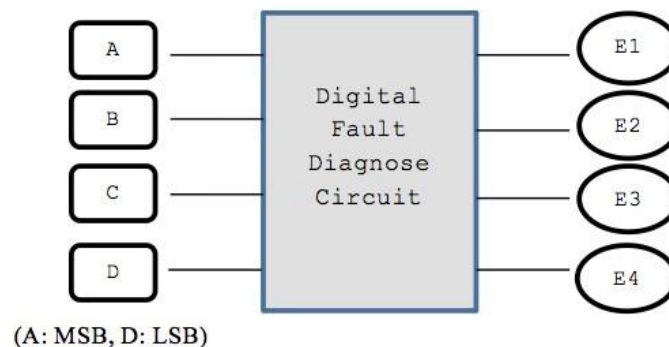


Figure 5

The following rules are used to activate the error's signal type:

- RULE 1:** E1 is activated if the input number is positive ODD and the majority of the bits is '0'.
- RULE 2:** E2 is activated if the input number is positive EVEN and the majority of the bits is '0'.
- RULE 3:** E3 is activated if the input number is negative ODD and the majority of the bits is '1'.
- RULE 4:** E4 is activated if the input number is negative EVEN and the majority of the bits is '1'.
- RULE 5:** The output of error signal is invalid if the input has equal bit '0' and bit '1'.
- (NOTE:** Positive ODD is positive numbers that are odd and negative EVEN is negative numbers that are even).

Experimental Steps (1)

1. Complete Truth Table 1 for Digital Fault Diagnose Circuit. Use variables A, B, C and D as inputs; E1, E2, E3 and E4 as outputs.

Truth Table 1

INPUTS				OUTPUTS			
A	B	C	D	E1	E2	E3	E4
0	0	0	0	0	1	0	0
0	0	0	1	1	0	0	0
0	0	1	0	0	1	0	0
0	0	1	1	x	x	x	X
0	1	0	0	0	1	0	0
0	1	0	1	x	x	x	X
0	1	1	0	x	x	x	X
0	1	1	1	0	0	0	0
1	0	0	0	0	0	0	0
1	0	0	1	x	x	x	X
1	0	1	0	x	x	x	X
1	0	1	1	0	0	1	0
1	1	0	0	x	x	x	X
1	1	0	1	0	0	1	0
1	1	1	0	0	0	0	1
1	1	1	1	0	0	1	0

2. Using K-MAP, get minimized SOP Boolean expressions for E1, E2, E3 and E4 circuits.

(2)

E1

CD				
AB	00	01	11	10
00	0	1	x	0
01	0	x	0	x
11	x	0	0	0
10	0	x	0	x

$A'B'D$

E2

CD				
AB	00	01	11	10
00	1	0	x	1
01	1	x	0	x
11	x	0	0	0
10	0	x	0	x

$A'D'$

E3

		C		D	
		0	01	11	10
AB	00	0	0	x	0
	01	0	x	0	X
	11	x	1	1	0
	10	0	x	1	x

AD

E4

		C		D	
		00	01	11	10
AB	00	0	0	x	0
	01	0	x	0	X
	11	x	0	0	1
	10	0	x	0	x

ACD'

3. From the Boolean expression in the step (2), draw your final E1, E2, E3 and E4 circuits using 2 input basic gates (AND, OR, NOT). Use Deeds Simulator.

4 Simulate the Deeds circuit in step (3):

a) Update Truth Table 2 based on the simulation result.

(4)

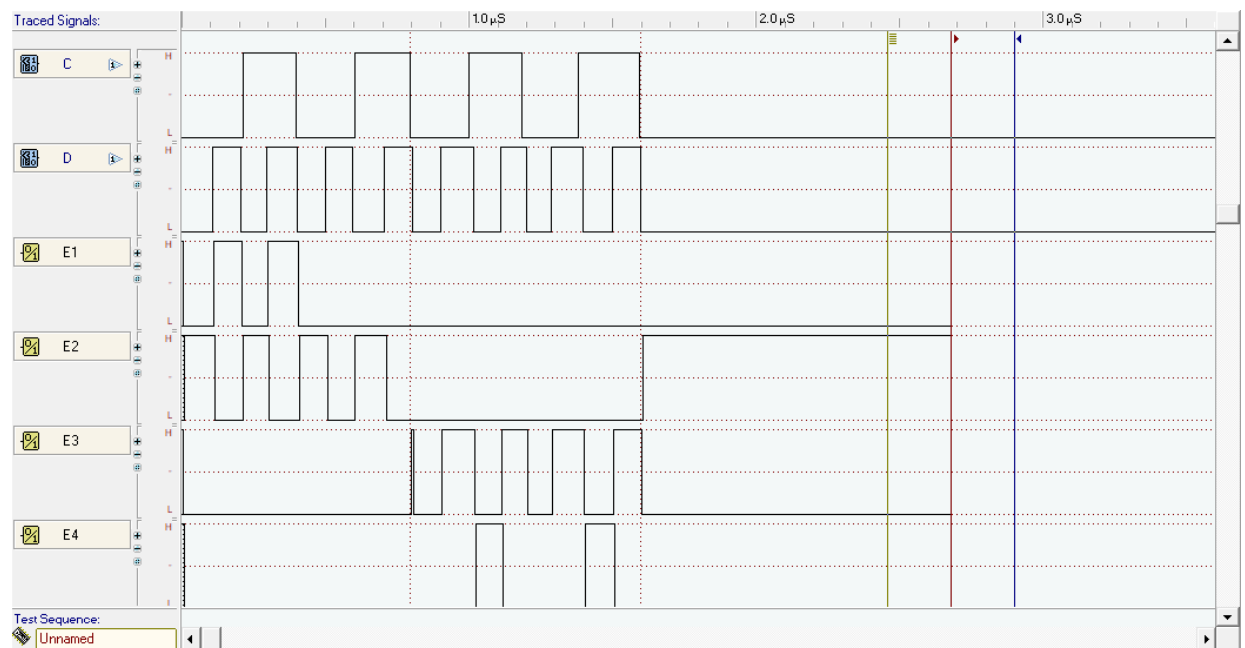
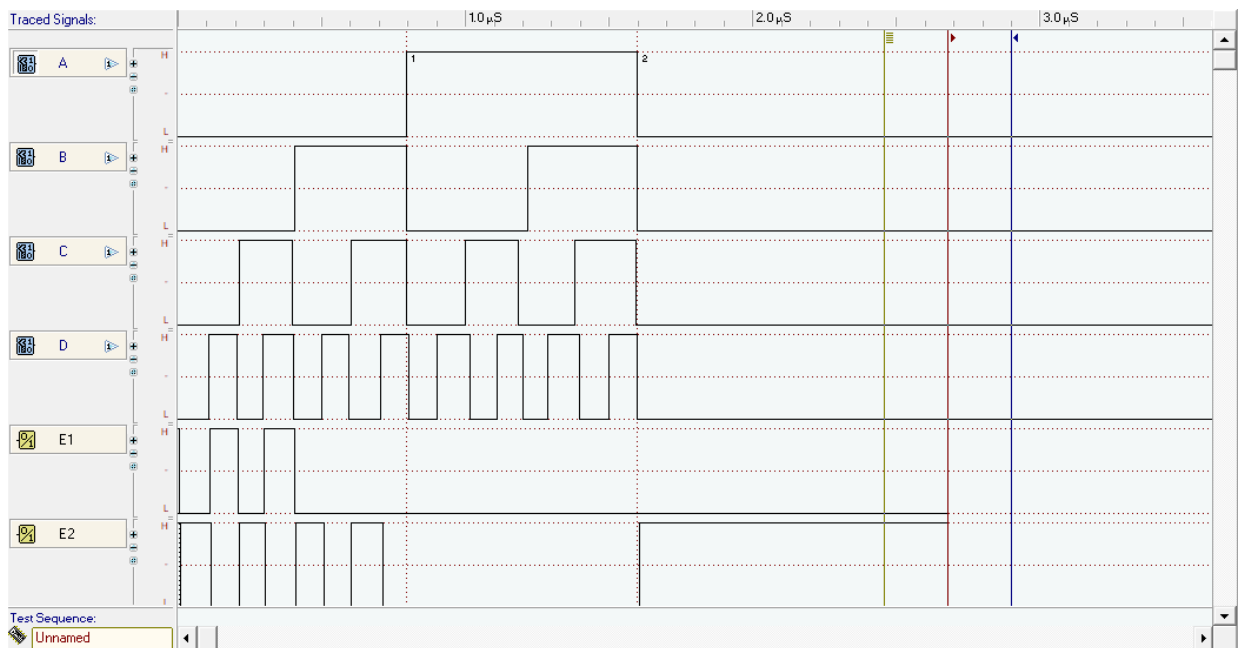
Truth Table 2

INPUTS				OUTPUTS			
A	B	C	D	E1	E2	E3	E4
0	0	0	0	0	1	0	0
0	0	0	1	1	0	0	0
0	0	1	0	0	1	0	0
0	0	1	1	X	X	X	X
0	1	0	0	0	1	0	0
0	1	0	1	X	X	X	X
0	1	1	0	X	X	X	X
0	1	1	1	0	0	0	0
1	0	0	0	0	0	0	0
1	0	0	1	X	X	X	X
1	0	1	0	X	X	X	X
1	0	1	1	0	0	1	0
1	1	0	0	X	X	X	X
1	1	0	1	0	0	1	0
1	1	1	0	0	0	0	1
1	1	1	1	0	0	1	0

Compare the output results in Truth Table 2 with Truth Table 1. What is your conclusion?

The result for truth table 2 and truth table 2 is same. Output from truth table 1 get from observation of problem statement, and solve it by using keywords in problem statement and kmap, meanwhile, output we get from truth table 2 is gain by deeds simulation, which both of output for both table is the same, the conclusion, output result of any problem statement can be gain from kmap correctly.

b) Timing Diagram



Explain some analysis values based on your timing diagram

There are 3 inputs and 3 output, which are A,B,C,D and E1,E2,E3,E4 respectively, inputs for A is 0000000011111111, B is 0000111100001111, C is 0011001100110011, D is 0101010101010101, so the output for E1 is 010x0xx00xx0x000, E2 is 101x1xx00xxx0x000, E3 is 000x0xx00xx1x101, E4, 000x0xx00xxx0x010.

3. Using dual symbol concept, convert your circuit in step (3) to NAND gates only. Use Deeds Simulator.

6 Simulate the Deeds circuit in step (5):

a) Update Truth Table 3 based on the simulation result.

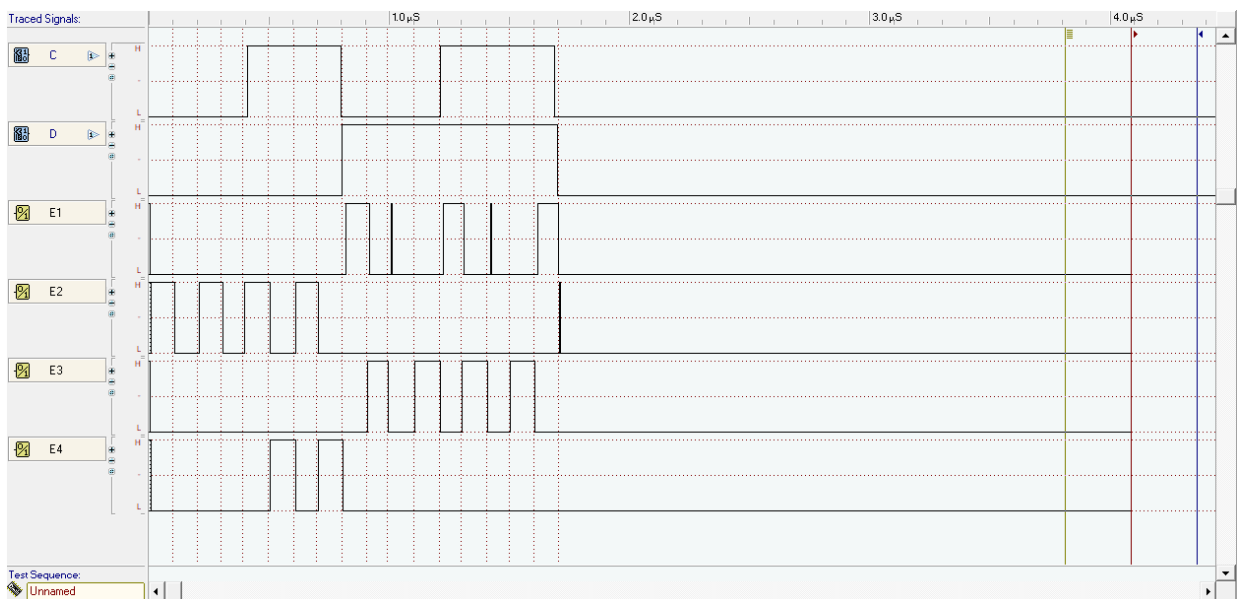
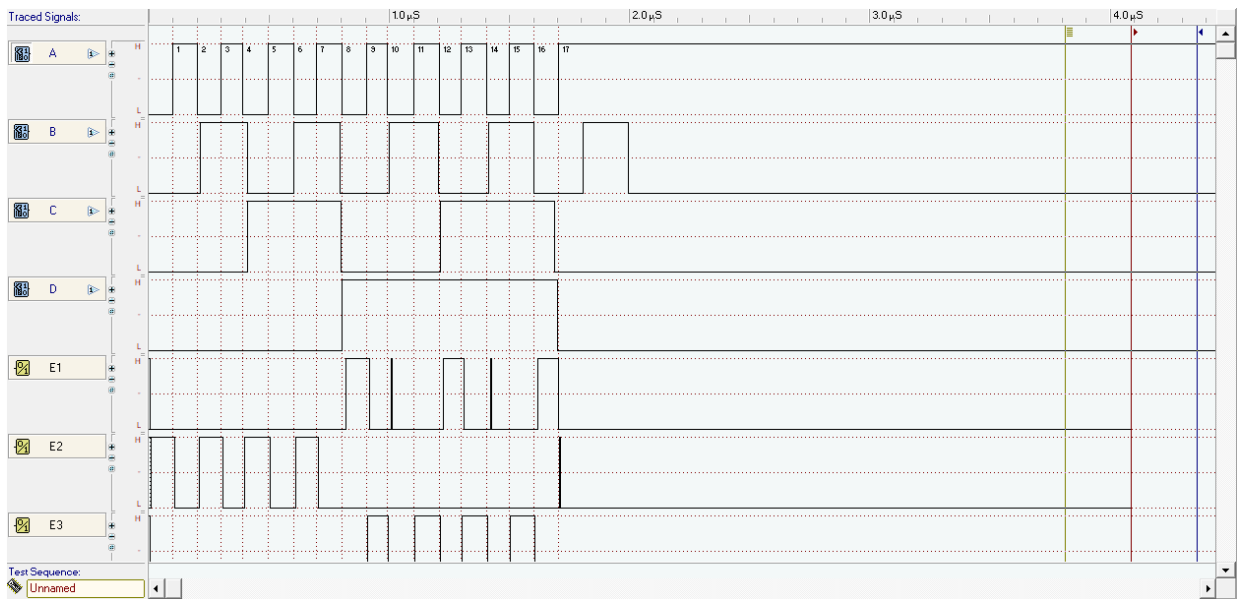
Truth Table 3

INPUTS				OUTPUTS			
A	B	C	D	E1	E2	E3	E4
0	0	0	0	0	1	0	0
0	0	0	1	1	0	0	0
0	0	1	0	0	1	0	0
0	0	1	1	x	x	x	X
0	1	0	0	0	1	0	0
0	1	0	1	x	x	x	X
0	1	1	0	x	x	x	X
0	1	1	1	0	0	0	0
1	0	0	0	0	0	0	0
1	0	0	1	x	x	x	X
1	0	1	0	x	x	x	X
1	0	1	1	0	0	1	0
1	1	0	0	x	x	x	X
1	1	0	1	0	0	1	0
1	1	1	0	0	0	0	1
1	1	1	1	0	0	1	0

Compare the output results in Truth Table 3 with Truth Table 2. What is your conclusion

Both of truth table have the same result this is because NAND gates is a universal gate, which can be replace to any basic gates, so this two circuits are basicly mean the same . which are replace with NAND gates.

b) Timing Diagram



Explain some analysis values based on your timing diagram:

There are 4 inputs, and 4 outputs , A,B,C,D and E1,E2,E3,E4 respectively, input for D is 0000000011111111, C is 0000111100001111, B is 0011001100110011, A is 0101010101010101 , output for E1, is 010x0xx00xx0x000, E2 is 101x1xx00xxx0x000 , E3 is 000x0xx00xx1x101, E4, 000x0xx00xxx0x010. Which same just like timing diagram 2



Fully Completed

Partially Completed

Checked by: _____

