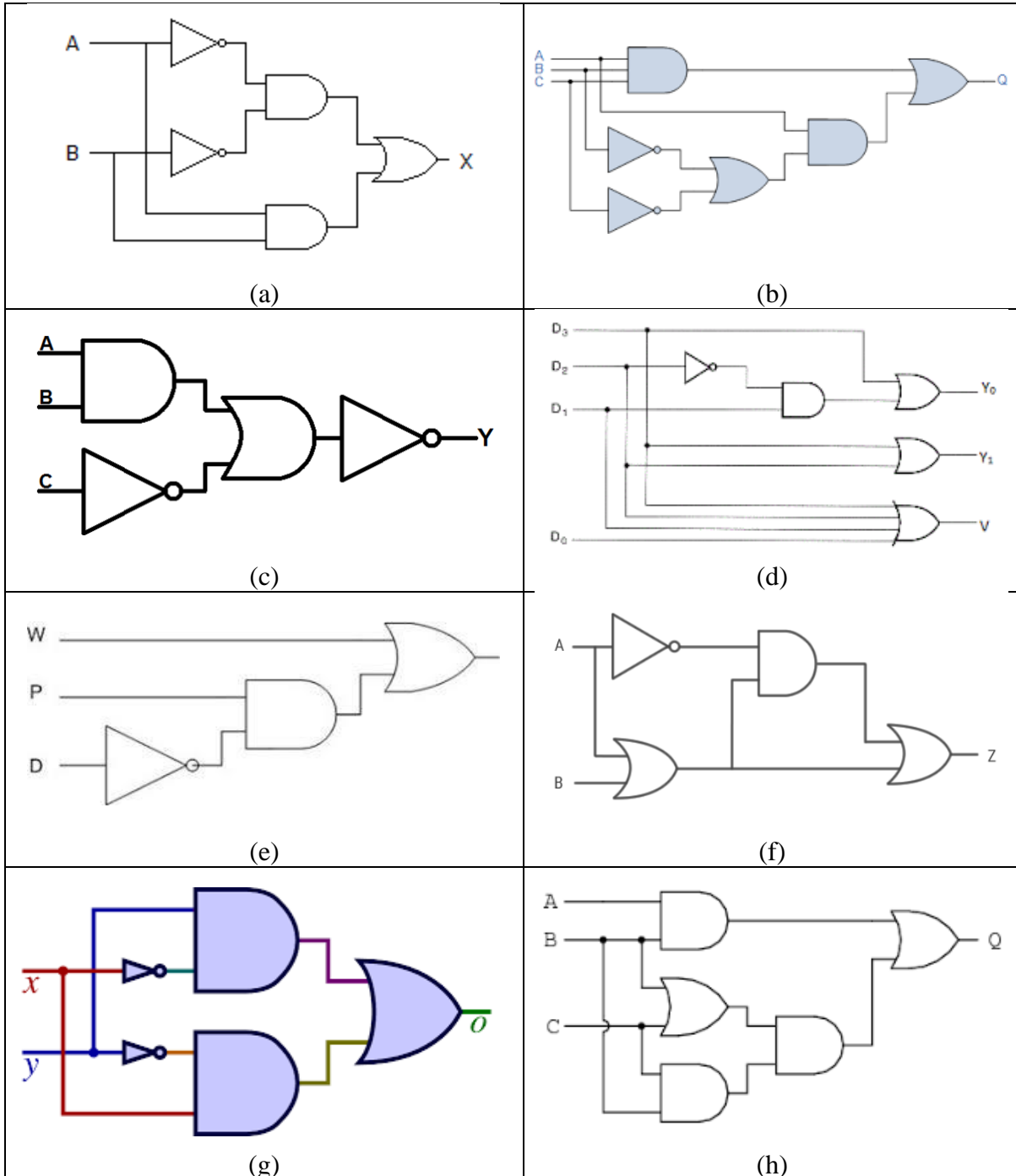


TUTORIAL MODULE 5: QUESTIONS FOR UNIVERSAL & DUAL SYMBOL

QUESTION 6

For every circuit (a) to (h), please replace the basic gates with NAND universal gates using the

- (i) REPLACEMENT TECHNIQUE
- (ii) BUBBLE TECHNIQUE



QUESTION 7

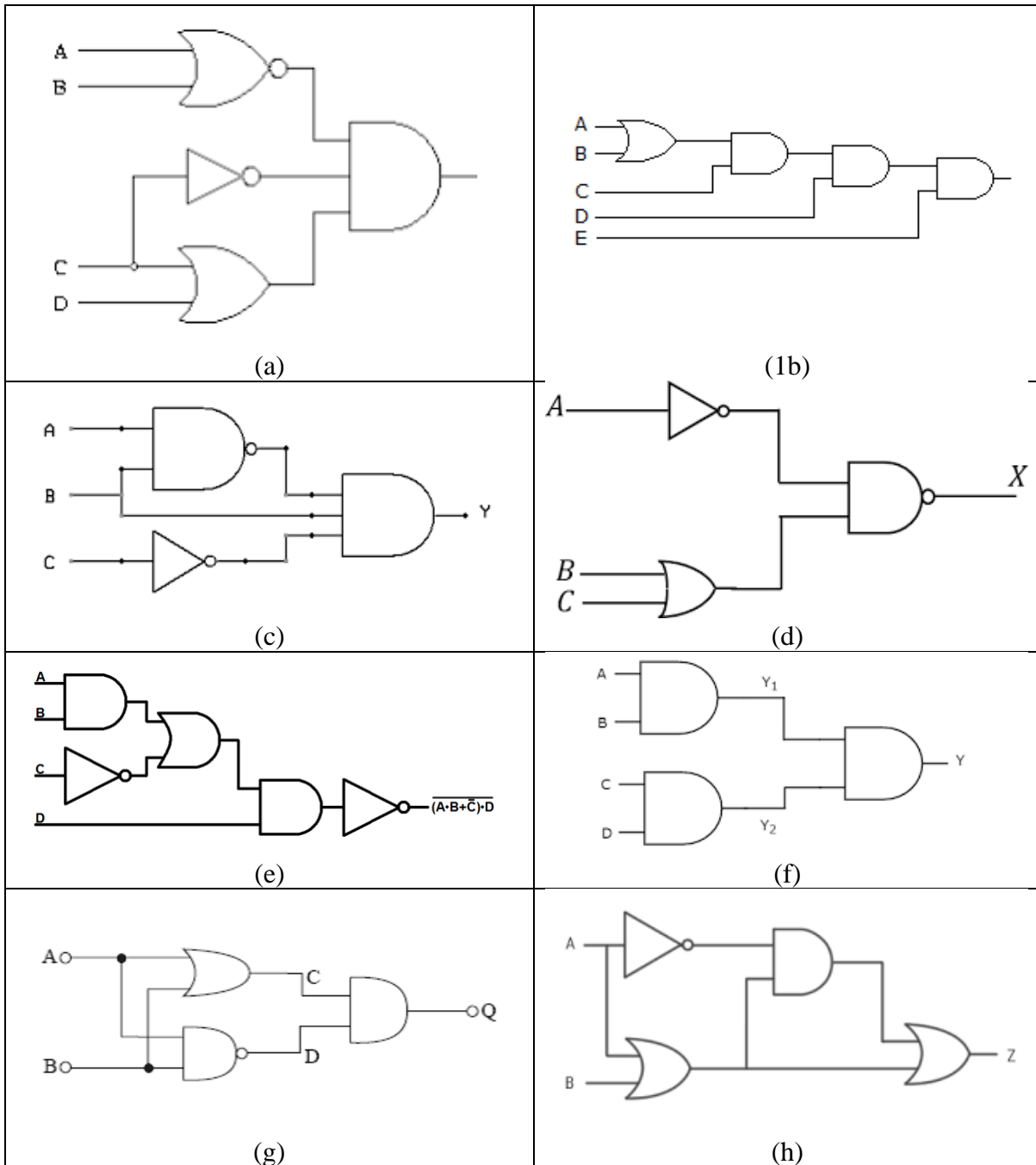
For every answer to Question 6, please change the universal gate circuits to basic gates circuit using dual symbol.

TUTORIAL MODULE 5: QUESTIONS FOR UNIVERSAL & DUAL SYMBOL

QUESTION 8

For every circuit (a) to (h), please replace the basic gates with NOR universal gates using the

- (i) REPLACEMENT TECHNIQUE
- (ii) BUBBLE TECHNIQUE



QUESTION 9

For every answer to Question 8, please change the universal gate circuits to basic gates circuit using dual symbol.