



UTM
UNIVERSITI TEKNOLOGI MALAYSIA

FACULTY OF COMPUTING

SECR1213-06

TASK 5: IP ADDRESSING SCHEME

Course Code: SECR1213

Section: 06

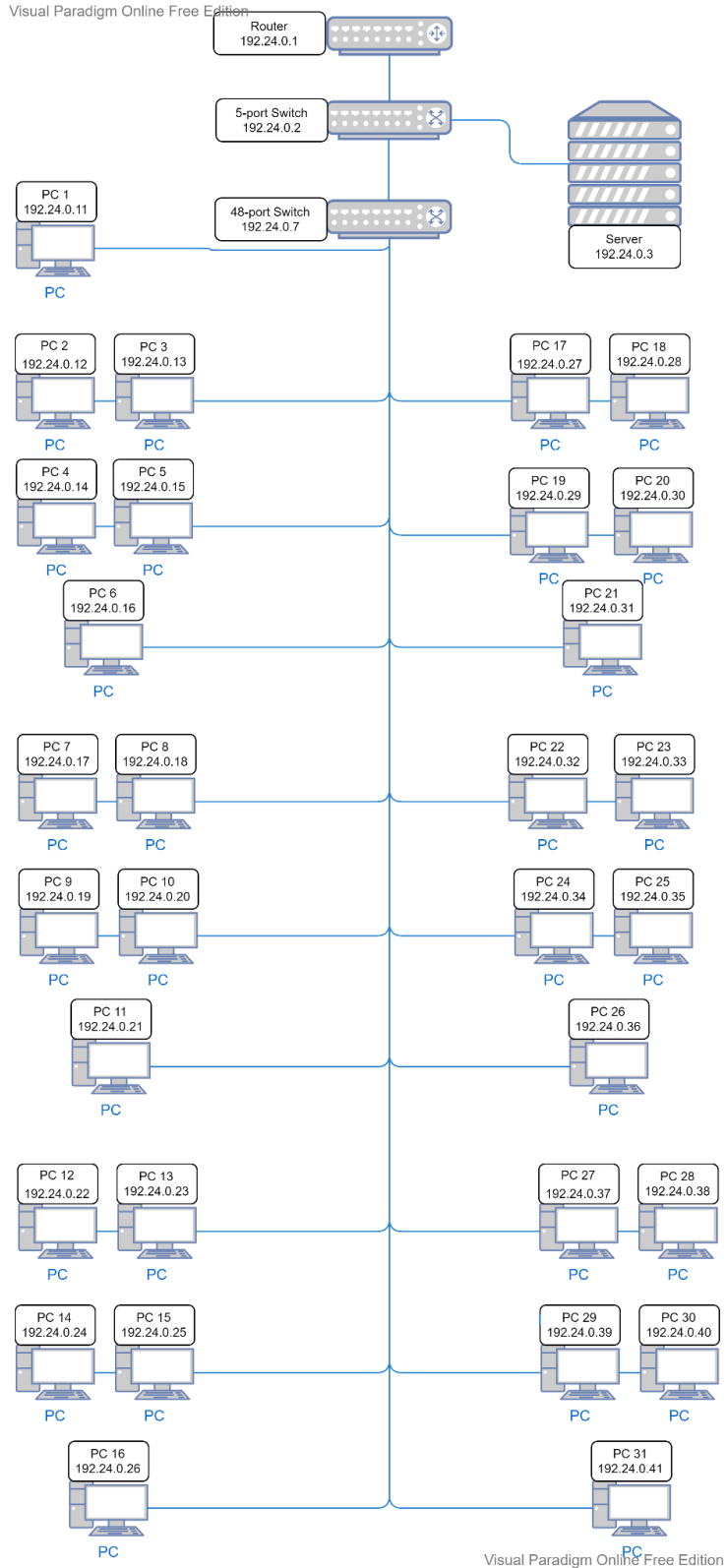
Lecturer: Assoc. Prof. Dr. Mohd Murtadha bin Mohamad

Group Members: (9) NASDAQ

NO.	NAME	MATRIX NO.
1	Ahmad Nazran bin Yusri	A20EC0179
2	Megat Irfan Zackry bin Ismail	A20EC0205
3	Muhammad Hafizzul bin Abdul Manap	A20EC0211
4	Tie Sing Hao	A20EC0168

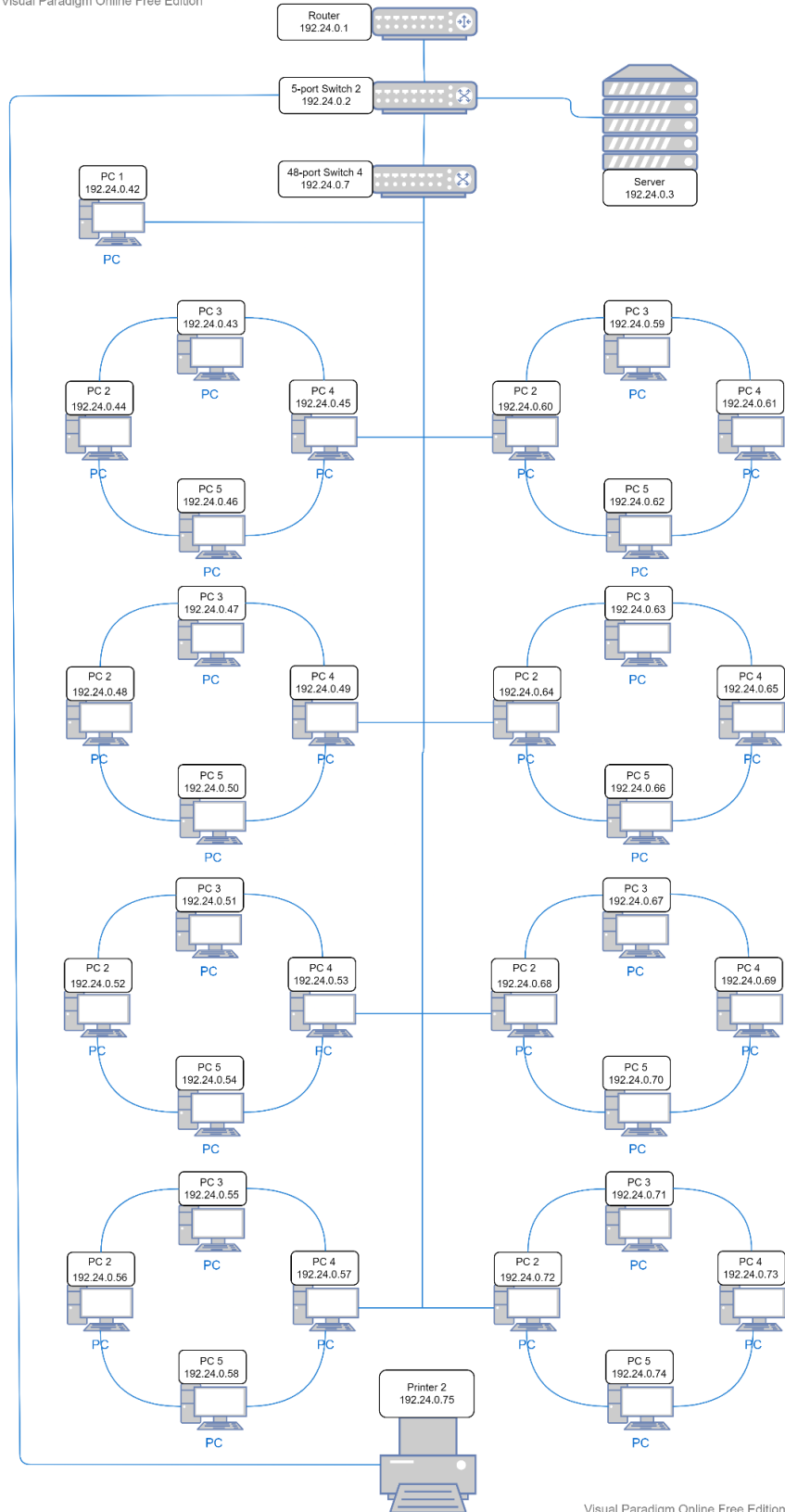
SECOND FLOOR

1) Network Lab



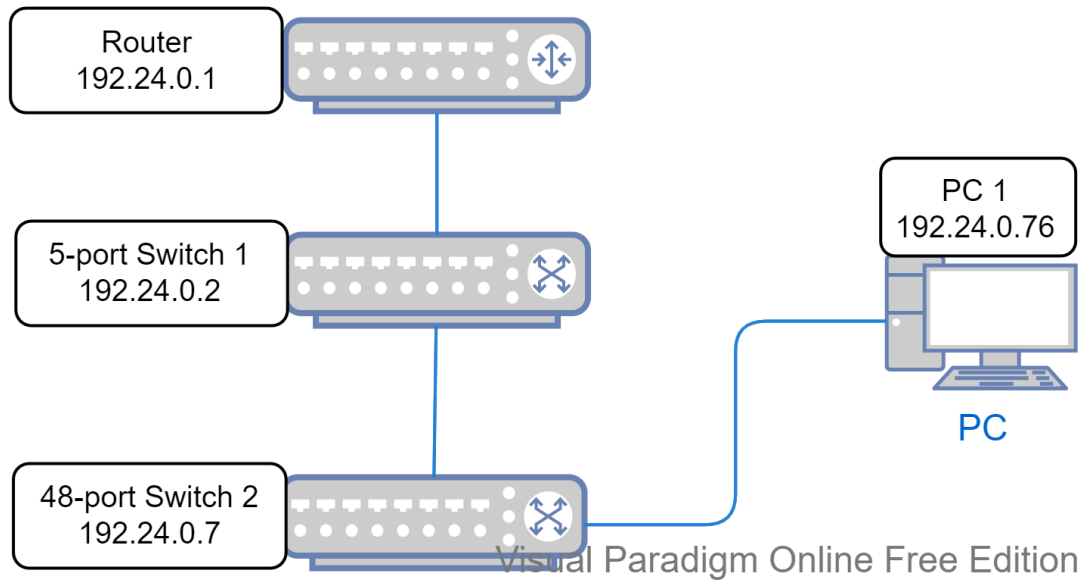
2) IOT Lab

Visual Paradigm Online Free Edition

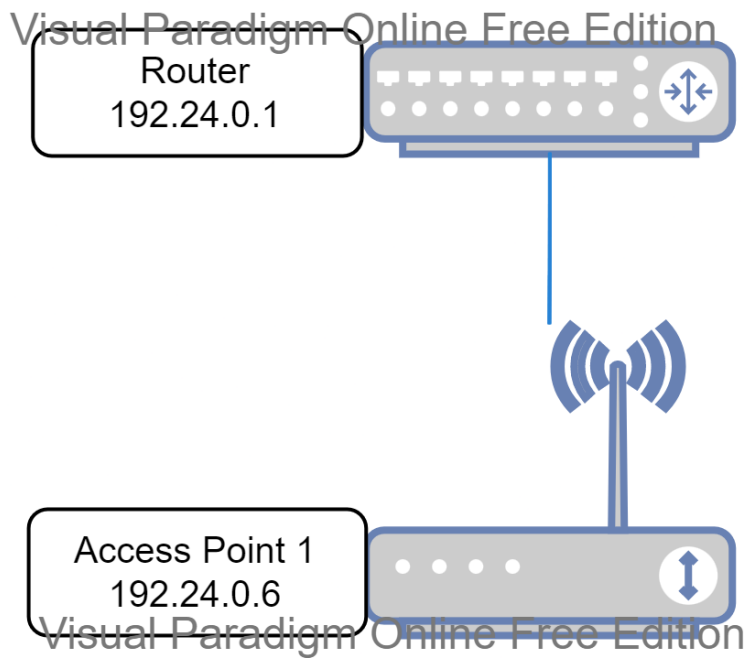


Visual Paradigm Online Free Edition

3) Video Conferencing Room 2

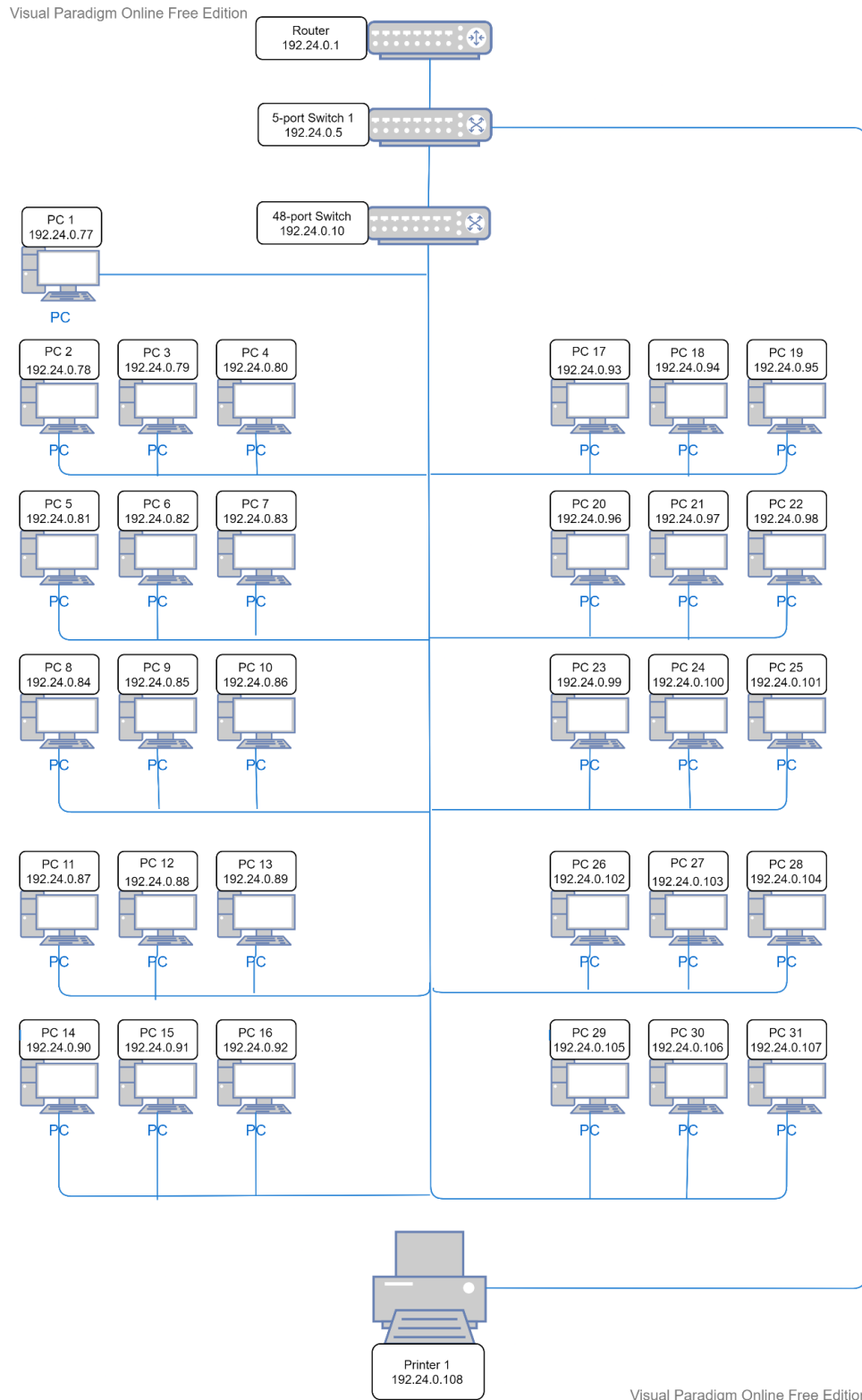


4) Lounge Area 2



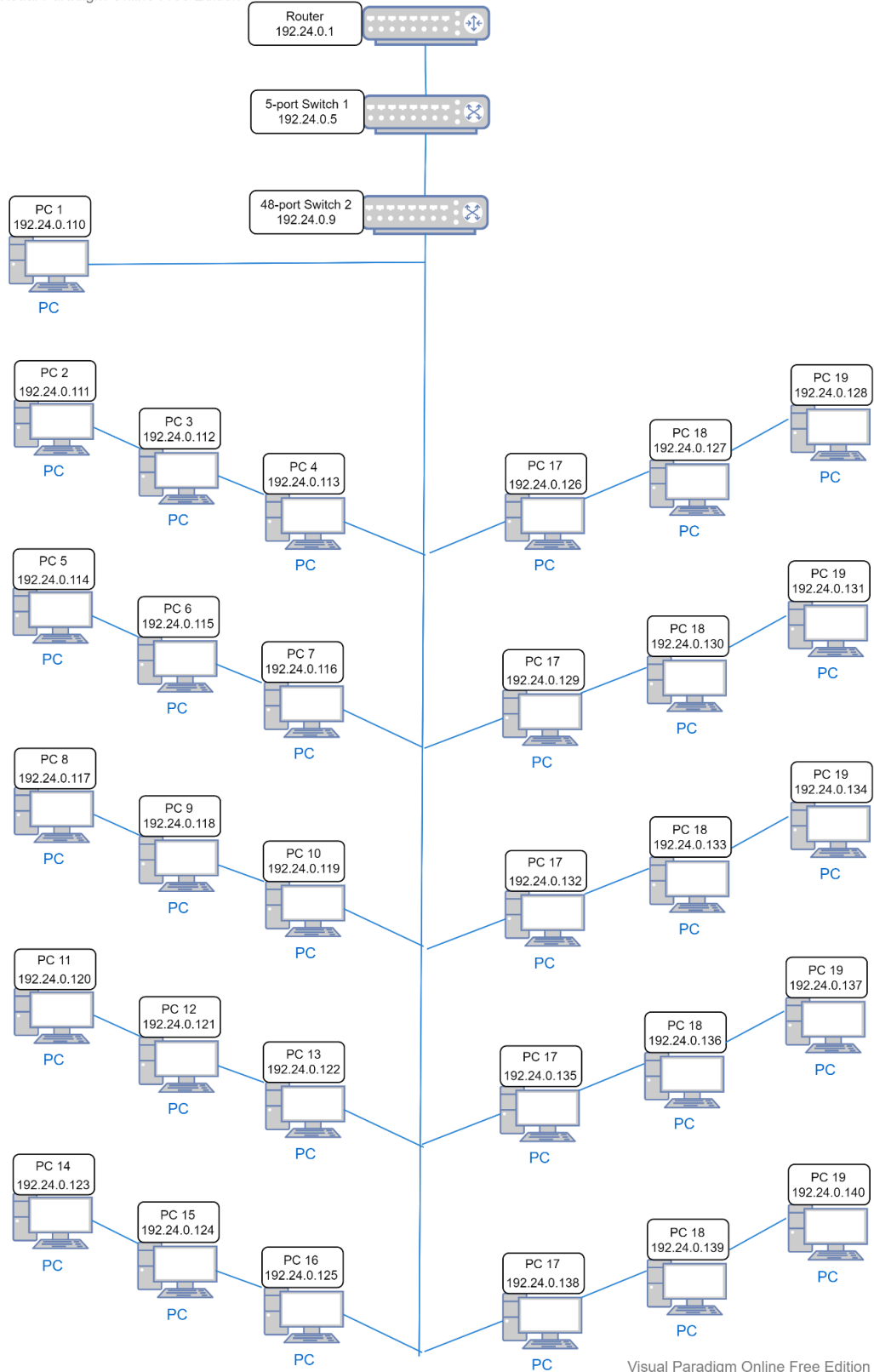
FIRST FLOOR

5) General Purpose Lab

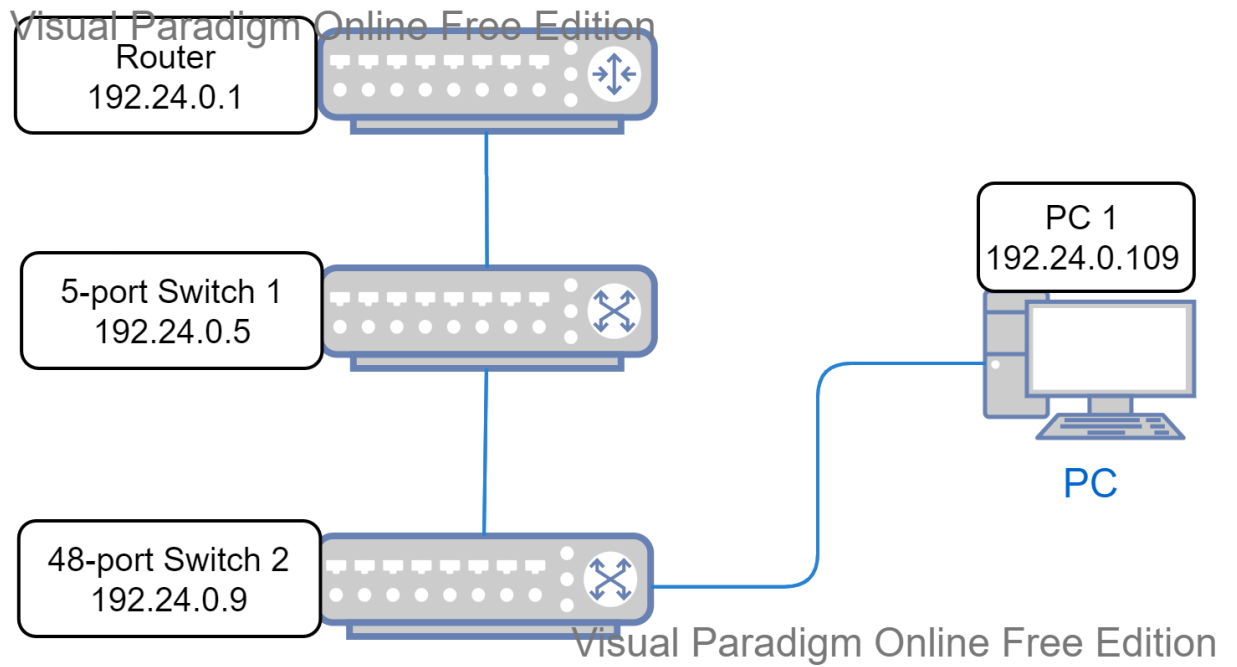


6) Computer Security Lab

Visual Paradigm Online Free Edition



7) Video Conferencing Room 1



8) Lounge Area 1

